



TECO ELECTRO DEVICES CO., LTD.

DC BRUSH MOTORS



TECO
GROUP





ELECTRICAL VEHICLE SERIES

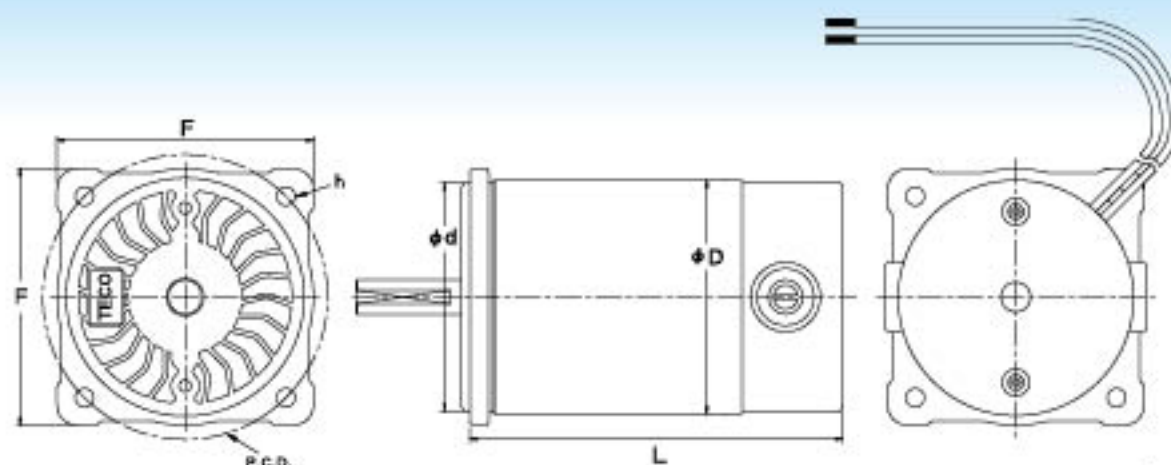
SPECIFICATION

Model	EV063106		EV071056		EV082087		EV082112		
	01		01		01	02	01	02	03
Rated Voltage (V)	24.5		24.0		24.0	24.5	24.5	24.5	24.0
No Load Current (A)	1.6		1.8		3.0	3.1	3.1	4.0	4.0
No Load Speed (rpm)	4950		3600		4450	4700	4200	4600	5100
Rated Point	Torque (kg-cm)	3.5	5.5	5.0	5.0	8.0	7.5	8.0	
	Current (A)	8.0	9.5	10.5	10.5	15.0	15.0	19.0	
	Speed (rpm)	4350	3450	3900	4200	3800	4200	4550	
	Power (W)	156	195	200	216	312	324	374	
Max. Output Power	Torque (kg-cm)	20.0	59.5	26.5	28.0	40.0	43.0	32.0	
	Current (A)	52.0	94.0	48.0	52.5	71.0	81.0	70.0	
	Speed (rpm)	2300	1800	2150	2300	2100	2300	2600	
	Power (W)	472	1100	585	661	863	1016	854	
Noise (dB)	65dB / (Background 45dB)								
Insulation Classification	F Class (150°C)								
Operating Temperature	-10~40°C								
Weight (kg)	1.5		1.6		2.6		3.5		

Model	EV082137		EV105112	
	01	02	01	02
Rated Voltage (V)	24.5	24.5	24.5	24.5
No Load Current (A)	3.5	5.5	6.5	8.1
No Load Speed (rpm)	3750	5850	5450	7150
Rated Point	Torque (kg-cm)	9.0	9.0	13.0
	Current (A)	15.5	23.0	32.0
	Speed (rpm)	3300	5300	5000
	Power (W)	305	490	668
Max. Output Power	Torque (kg-cm)	43.0	44.5	76.0
	Current (A)	62.5	103.0	182.0
	Speed (rpm)	1850	2950	2700
	Power (W)	817	1348	2107
Noise (dB)	65dB / (Background 45dB)			
Insulation Classification	F Class (150°C)			
Operating Temperature	-10~40°C			
Weight (kg)	4.0		5.5	

● To customize motors, please contact with us or our agent.

DIMENSION



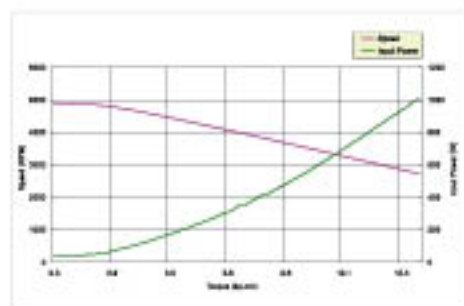
(unit:mm)

Model	EV063	EV071	EV082087		EV082112			EV082137		EV105112	
	01	01	01	02	01	02	03	01	02	01	02
ϕD	63.5	71	80	82	82	82	82	82	82	105	105
L	117	101	130.8	130	155	155	155	180	180	166.2	166.2
ϕd	35	83	83	77	77	77	77	77	77	77	77
P.C.D.	77	103	103	100	100	100	100	100	100	120	120
h	7.0	7.0	6.5	9	9	9	9.2	9	9	9	9
F		90	90	90	90	90	89.5	90	90	115	115

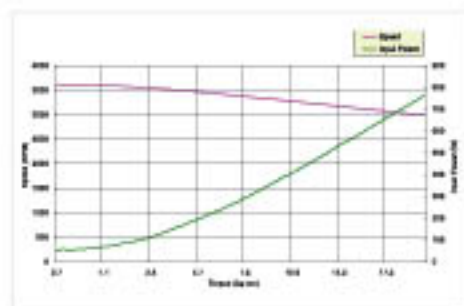
● To customize motors, please contact with us or our agent.

PERFORMANCE CURVE

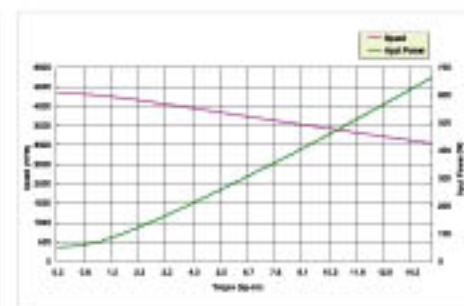
EV063106-01



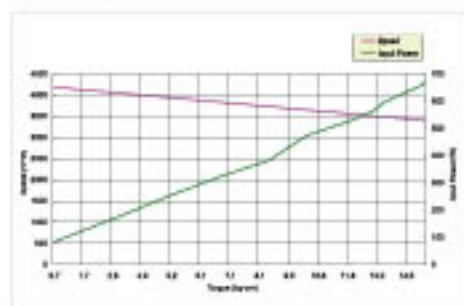
EV071055-01



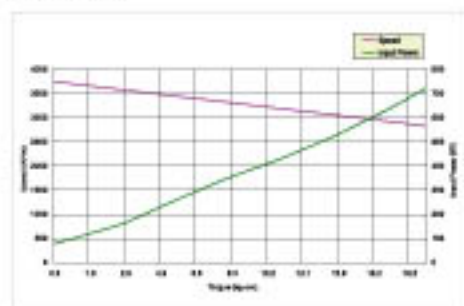
EV082087-01



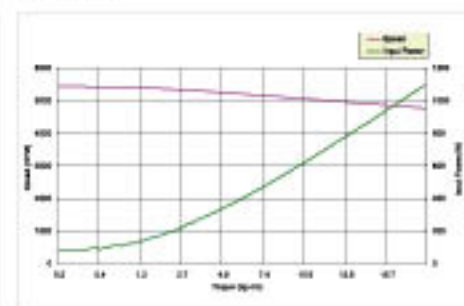
EV082112-01



EV082137-01



EV105112-01





ELECTRICAL WHEELCHAIR SERIES

SPECIFICATION

Model		ME082112			
		01	02	03	04
Rated Voltage (V)		24.0			
No Load Current (A)		2.5	2.5	2.5	3.0
No Load Speed (rpm)		3750	3900	4250	4600
Rated Point	Torque (kg-cm)	7.0	7.0	7.0	7.0
	Current (A)	12.0	13.0	13.5	16.0
	Speed (rpm)	3350	3550	3900	4200
	Power (W)	241	255	280	302
Max. Output Power	Torque (kg-cm)	39.0	33.0	46.5	40.0
	Current (A)	65.0	55.0	87.5	81.0
	Speed (rpm)	1900	1950	2100	2300
	Power (W)	761	661	1003	945
Noise		60dB / (Background 45dB)			
Insulation Classification		F Class (150°C)			
Operating Temperature		-10~40°C			
Weight (kg)		3.5			

● To customize motors, please contact with us or our agent.



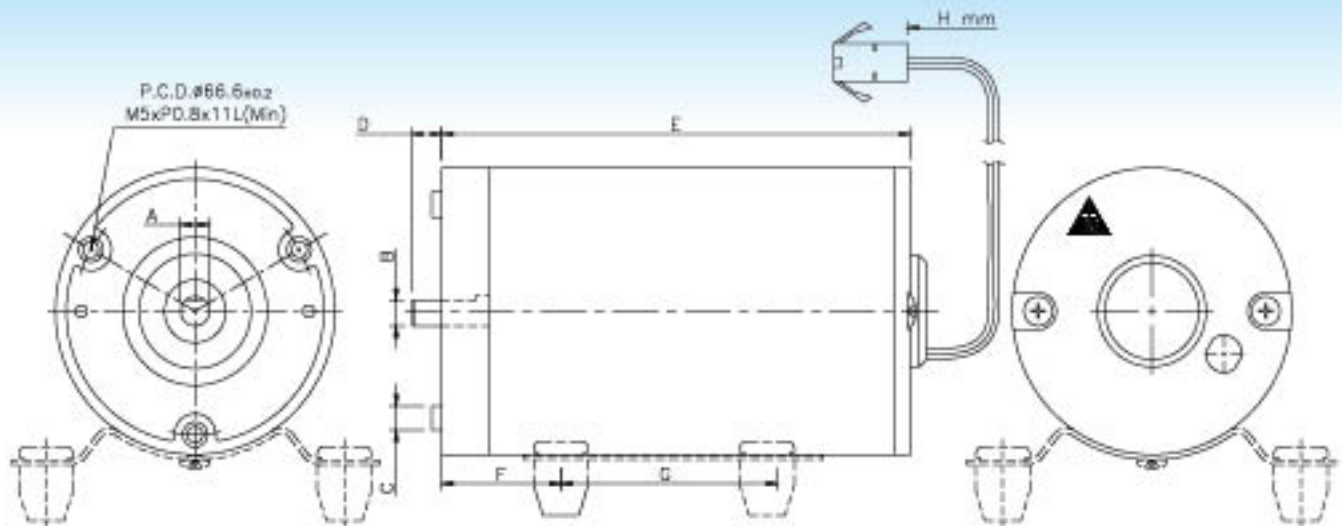
REVERSE OUTLET FILTER SERIES

SPECIFICATION

Model		PM077112(VDC)		PM077112(VAC)	
		01	02	01	02
Rated Voltage (V)		24VDC	36VDC	24VAC	36VAC
No Load Current (A)		0.11 Max.	0.11 Max.	0.18	0.18
No Load Speed (rpm)		640	640	825	825
Rated Point	Torque (kg-cm)	2.0	2.0	2.0	2.0
	Current (A)	0.65	0.62	1.0	1.0
	Speed (rpm)	510	670	470	700
	Power (W)	10	14	10	14
Max. Output Power	Torque (kg-cm)	5.4	7.5	4.5	6.2
	Current (A)	1.6	1.9	1.7	2.2
	Speed (rpm)	310	390	300	420
	Power (W)	17	30	14	27
Loaded at 70 pounds	Current (A)	0.6	0.56	1.0	1.0
	Water Flow	0.6LPM Min.	0.6LPM Min.	19GPH Min.	19GPH Min.
Noise		60dB / (Background 45dB)			
Insulation Classification		F Class (150°C)			
Operating Temperature		-10~40°C			
Weight (kg)		1.94 / 2.14 (Includes the foot seat)	1.94 / 2.14 (Includes the foot seat)	1.98 / 2.18 (Includes the foot seat)	1.98 / 2.18 (Includes the foot seat)

● To customize motors, please contact with us or our agent.

DIMENSION

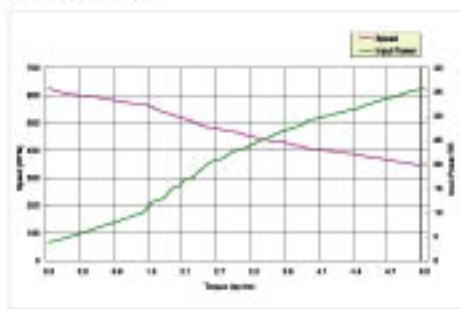


DIM.	PM077112VDC/VAC	PM077112VDC/VAC
A	$\phi 7.99^{+0.005}_{-0.005}$	$\phi 7.99^{+0.005}_{-0.005}$
B	$7^{+0}_{-0.05}$	$7^{+0}_{-0.05}$
C	$\phi 6.6^{+0}_{-0.1}$	$\phi 6.6^{+0}_{-0.1}$
D	$8.4^{+0.3}_{-0.3}$	$8.4^{+0.3}_{-0.3}$
E	$129.6^{+0.3}_{-0.3}$	$129.6^{+0.3}_{-0.3}$
F	30.6	X
G	57	
H	250	

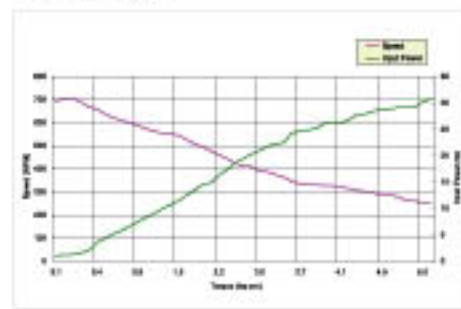
● To customize motors, please contact with us or our agent.

PERFORMANCE CURVE

PM077112VDC-01



PM077112VAC-01



DEBRIS SHIMMOTORS



TECO ELECTRO DEVICES CO., LTD.

TEL:886-3-452-5031

FAX:886-3-461-6910

11-1, An Tung Rd., Chung-Li Industrial District,
Taoyuan, Taiwan

<http://www.tedmotors.com>

